

APA Web Services Build Pack

For Gas Transmission Customers

Version: v0.8

Date: 19th Dec 2011

All rights reserved. No part of this document may be reproduced, stored in a retrieval system or transmitted in any form or by any means electronic, mechanical, photocopying, recording or otherwise, without prior written permission from Information Technology Services of APA Group

© Copyright APA Group 2012.
Commercial in Confidence

1 Document Control

1.1 Revision History

Version	Review Date	Author	Reviewed by	Summary of change	Status
0.1	1 st May 2011	Michael Ma	Steve Nield	Initial version	Initial
0.2	19 th May 2011	Steve Nield		Initial Draft	Draft
0.3	15 th August 2011	Michael Ma		Redone all the report definition to align with the FTP Specification Updated all the Web Service Name to align with the Transaction Moved data dictionary from FTP build pack to this document. Updated all the XML message definition to align with FTP Specification	Draft
0.4	9 th September 201	Michael Ma		Redone all the Report to align with FTP specification	Draft
0.5	13 October	Michael Ma	Steve Nield	Update the Web Application User ID to the new format	Draft
0.6	20 th Oct 2011	Steve Nield		Reviewed and updated	Draft
0.7	24 th Oct 2011	Michael Ma		Update DuplicateStatus in the examples to be value of : Yes/No Removed the transaction duplication when sharing with FTPS. Updated the missing page connection.	Draft
0.8	19 th Dec 2011	Emmanuel Bresson	Steve Nield	Updated to match final implementation	Draft

1.2 Review & Distribution List

Version	Review Date	Reviewed by	Title	Action

1.3 Related Documents

Document	Source Organisation

2 Definitions

Term	Definition
Agent	An entity nominating on behalf of a Shipper
APA	Meaning APA and its relevant legal entities.
Company	A legal entity consisting of one or more Customers
Customer	A legal entity within a Company with whom APA have contracts for haulage and also in some cases for storage of gas within APA owned or operated facilities.
EC	Energy Components. A hydrocarbon accounting (HCA) software suite for production management in oil and gas.
Participant	A Company consisting of one or more Customers, or an Agent
Shipper	Please see Company.
Market Time	The time used by Australian FRC Markets ie UTC +10.

Table of Contents

1 Document Control.....	2
1.1 Revision History	2
1.2 Review & Distribution List.....	2
1.3 Related Documents.....	2
2 Definitions	2
3 Introduction	2
3.1 Background	2
3.2 Purpose	2
3.3 Target Audience	2
4 Data Dictionary	2
4.1 TransactionId	2
4.2 Re-sending Messages.....	2
5 Web service Process Design.....	2
5.1 Process Overview	2
6 Participant Nomination Steps.....	2
6.1 Participants Nomination Steps Overview	2
7 Web Service and Operations	2
7.1 Security	2
8 Participants Nomination Steps.....	2
8.1 Requesting Nomination Points Report	2
8.2 Uploading Nominations	2
8.3 Checking the ACK	2
8.4 Requesting Nomination Status report	2
9 Web Service Operations	2
9.1 GetNominationPointReport.....	2
9.2 SubmitNomination.....	2
9.3 GetAck.....	2
9.4 GetNominationStatusReport	2
10 Web Service Message Specification.....	2
10.1 Nomination Point Report request (NPQ).....	2
10.2 Nomination Points Report response (NPR).....	2
10.3 Nomination request (NOM).....	2

10.4 MCK 2

10.5 ACQ request 2

10.6 Nomination Status request (NPQ) 2

10.7 Nomination Status Report response (NSR)..... 2

11 Appendix 2

11.1 Nomination Status Request (NSR) examples 2

11.2 Nomination Status 2

3 Introduction

3.1 Background

The APA Group has transformed its business operations by implementing a Customer focused APA Grid system. This includes a Customer portal, with access to the Energy Components (EC) software suite

The standard process of submitting a nomination involves a person entering nominations directly or uploading a nomination CSV file via a web interface. This is ideal for participants with a small number of nomination points, however participants with a large number of nominations may prefer to use an automated system.

The new APA Automated Nomination System provides a number of benefits including:

- Flexibility on how many nominations to make
- Fully automated interface with no human interaction required
- Robust error handling processes.

Two forms of automated nomination interface have been provided by APA.

- FTPS – File transfer protocol over SSL, this allows the participant to upload and download files in CSV formats
- Web Service –application based automation.

This document describes the Web Service facility.

3.2 Purpose

After reading this build pack, participants should have a good understanding of the processes involved in the Web Service facility as well as the files and formats expected.

This document serves as a guideline for participant technical teams to develop their own systems to communicate to the APA Web Service Automated Nomination System.

3.3 Target Audience

- Participant Commercial staff
- Participant Technical staff

4 Data Dictionary

Field Name	Data Type	Description	
APASystemCode	String	"AANS"	
AcceptedQuantity	Numeric	Accepted Quantity	
AcceptedQuantityDate	Date	Value	Description
		YYYY-MM-DDThh:mm:ss	Date the Nomination is accepted. Reported in pipeline local time
AdjustedQuantity	Numeric	Nomination adjusted by APA	
AdjustedQuantityDate	Date	Value	Description
		YYYY-MM-DDThh:mm:ss	Date the nomination was adjusted. Reported in pipeline local time
ApplicationUserId	String	A unique APA supplied user Id to be used by the participant when using the APA Automated Nominations System via Web Service. These will be user Ids with an AANSW" prefix. The information is provided by the certificate used to authenticate to the web service.	
CompanyCode	String	Unique code used to identify company	
CompanyName	String	Company Name	
ConfirmedQuantity	Numeric	Confirmed Quantity, this is the preliminary scheduled quantity. Once this number has been confirmed by APA, this will become the scheduled quantity.	
ConfirmedQuantityDate	Date	Value	Description
		YYYY-MM-DD	Date nomination was confirmed. Reported in pipeline local time.
CustomerCode	String	Unique code for the customer	
CustomerName	String	Customer Name	
DateTimeStamp	DateTime	Input: YYYY-MM-DDThh:mm:ss Output: YYYY-MM-DDThh:mm:ss.ffffffZ	
EndGasDate	Date	Value	Description
		YYYY-MM-DD	End query Date
EventCode	String	Unique value representing the error.	
EventCodeDescription	String	Describes the event code in question.	
EventContext	String	Optional value giving more information about the Event.	
EventSeverity	String	Value	Description
		Error	The transaction is in Error and hence cannot be processed
ExpiryDate	Date	Value	Description
		YYYY-MM-DD	Last date where the nomination point is active
ExternalConfirmedQuantity	Numeric	Interconnect party confirmed quantity	
ExternalConfirmedQuantityDate	Date	Value	Description
		YYYY-MM-DDThh:mm:ss	Reported in pipeline local time
InitiatingTransactionId	String	The TransactionId of the message this message is validating. Used by output files	
IsDuplicate	Boolean	Indicates if a TransactionId is a duplicate	
IsSuccessful	Boolean	Indicates if a transaction was successful	
MessageId	String	Value	Description
		{[A-Z0-9]{10,36}} Not containing [_] (underscore)	Uniquely identifies the initial message. Can be used in APA and participant systems as a tracing mechanism. Greater than or equal to 10 characters and less than or equal to 36 characters long) This will generally be a system generated GUID in string format E.g. 21EC2020-3AEA-1069-A2DD-08002B30309D
NominationDirection	String	Value	Description
		Entry	Nomination at a Receipt or Entry point

Field Name	Data Type	Description	
		Exit	Nomination at a Delivery or Exit point.
NominationGasDate	Date	Value	Description
		YYYY-MM-DD	The nomination gas date.
NominationPoint	String	XML tag	
NominationPoints	String	XML tag	
NominationPointCode	String	The unique system code for the nomination point	
NominationPointName	String	The display name of the nomination point	
NominationStatus	String	Value	Description
		ACC	Accepted: Contractually approved, pending confirmation Nomination is accepted internally. Nominations are contractually in balance or the current imbalance is granted
		ADJ	Adjusted: Nomination adjustment for handling imbalances caused by internal operational considerations or events This figure will overwrite all nomination
		CON	Confirmed: pending final schedule Nomination is confirmed both internally and externally (externally: where applicable)
		INIT	Initiated: System initiated record
		PEN	Pending: Requested Nomination Received, pending APA approval
		REJ	Rejected: Requested Nomination Rejected, Nomination resubmission is required.
		REQ	Requested: The first step in the nomination process received externally (MHM or entered) from shippers on pipeline
		SCH	Scheduled: Nomination is scheduled.
NominationStatuses	String	XML tag	
NominationType	String	Value	Description
		Normal	The nomination has been received prior to intra-day dead line
		IntraDay	The nomination has been received after the intraday dead line
Parameters	String	XML tag	
Quantity	Numeric	Value	Description
		[0-9]{8}	The nomination quantity (must be less than 4,294,967,296)
RequestedQuantity	Numeric	Shipper Requested Quantity	
RequestedQuantityDate	Date	Value	Description
		YYYY-MM-DDThh:mm:ss	Shipper Requested Quantity Date. Reported in pipeline local time
ScheduledQuantity	String	This field will always show the scheduled quantity. This is the quantity that will be used for operation and allocation.	
ScheduledQuantityDate	Date	Value	Description
		YYYY-MM-DDThh:mm:ss	Scheduled Quantity Date. Reported in pipeline local time
ServiceContractCode	String	The unique system code for the service contract	
ServiceContractName	String	Service contract name	
ShipperContractCode	String	Unique Code for the Shipper Contract	
ShipperContractName	String	Shipper Contract Name	
StartDate	Date	Value	Description

Field Name	Data Type	Description	
		YYYY-MM-DD	First date where the nomination point is active
StartGasDate	Date	Value	Description
		YYYY-MM-DD	Start Query Date
Timestamp	DateTime	YYYYMMDDhhmmss (formatted DateTimeStamp)	
Transaction	String	Value	Description
		ACK	Nomination Acceptance
		ACQ	Nomination Acceptance Request
		MCK	Message Acknowledgment
		NOM	Nomination
		NPQ	NominationPointRequest
		NPR	NominationPointReport
		NSQ	NominationStatusRequest
		NSR	NominationStatusReport
TransactionId (XML)	XML	<TransactionId> <MessageId>21EC2020-3AEA-1069-A2DD-08002B30309D</MessageId> <DateTimeStamp>2012-12-21T14:56:12</DateTimeStamp> </TransactionId>	
TransactionId (string)	String	AANS_<MessageId>_<Timestamp>_<Transaction>_<ApplicationUserId>	
UOM	String	Value	Description
		GJ	Constant
VersionNumber	Numeric	Version number of the nomination. This number will be incremented everything time the nomination is updated.	

4.1 TransactionId

TransactionId is a combination of letters that uniquely identify a transaction in the APA Web Service Automated Nomination System. The TransactionId is defined by combining specific information that belongs to the environment or the submitted request. Duplication of the TransactionId will result in the submitted request being rejected.

The standard format of a web service APA Automated Nomination System (AANS) request TransactionId (XML) is the following:

```
<Header>
  <MessageId>21EC2020-3AEA-1069-A2DD-08002B30309D</MessageId>
  <DateTimeStamp>2012-12-21T14:56:12</DateTimeStamp>
</Header>
```

The TransactionId (string) returned by the Nomination Status Report response (NSR) and the MCK EventCodeDescription uses a different format:

```
<APA System Code>_<MessageId>_<Timestamp>_<Transaction>_<ApplicationUserId>
```

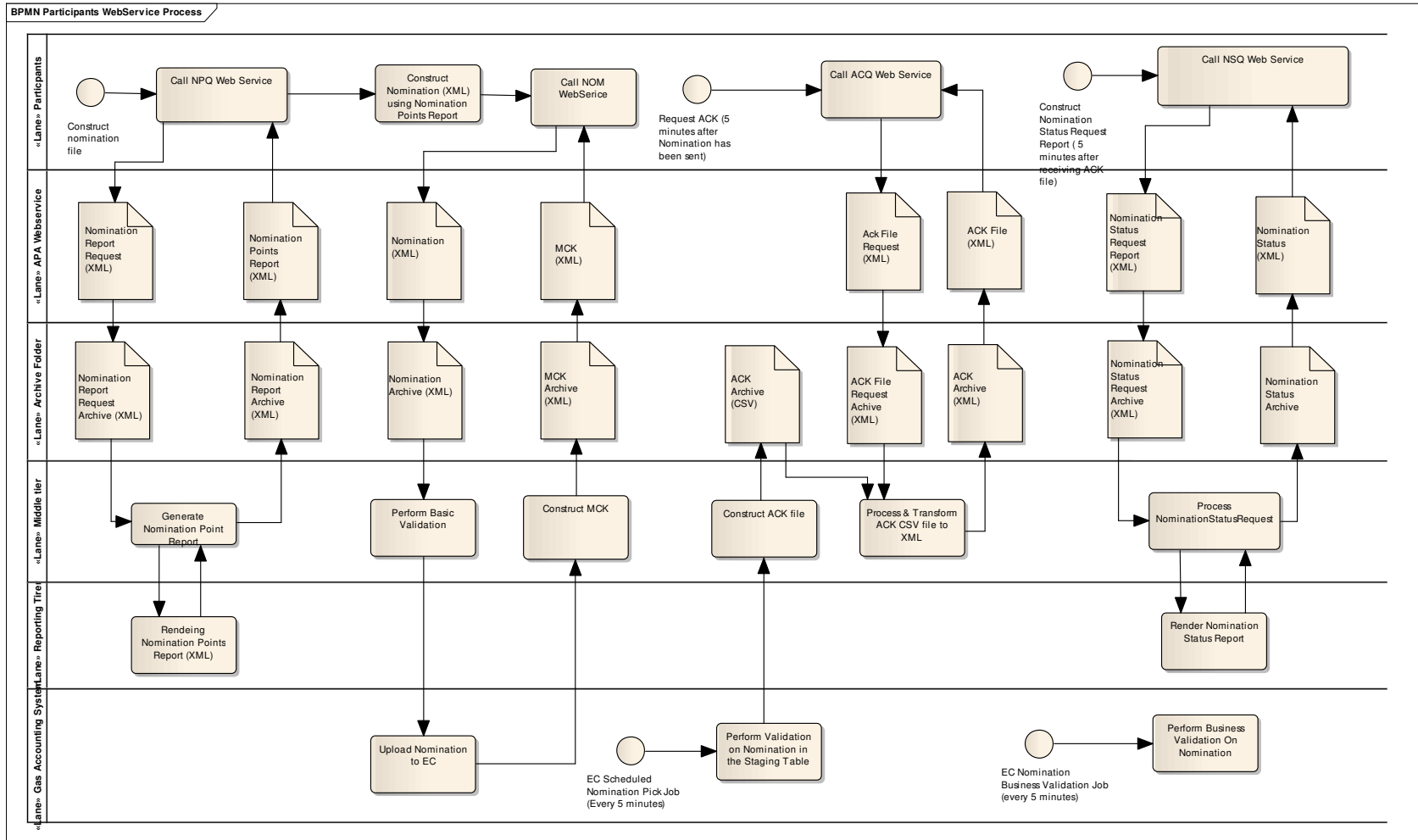
Field	Description
APASystemCode	"AANS"
MessageId	Eg 21EC2020-3AEA-1069-A2DD-08002B30309D
Timestamp	e.g. 20111221145612
Transaction	"NOM"
ApplicationUserId	Eg AANSWaaaa

4.2 Re-sending Messages

In the event of transactions being lost due to a system failure or data transfer failure it may be necessary to re-send requests to APA. As a general rule a new MessageId should be assigned to these requests to ensure no duplicate request is sent to APA and avoid duplicate TransactionId errors.

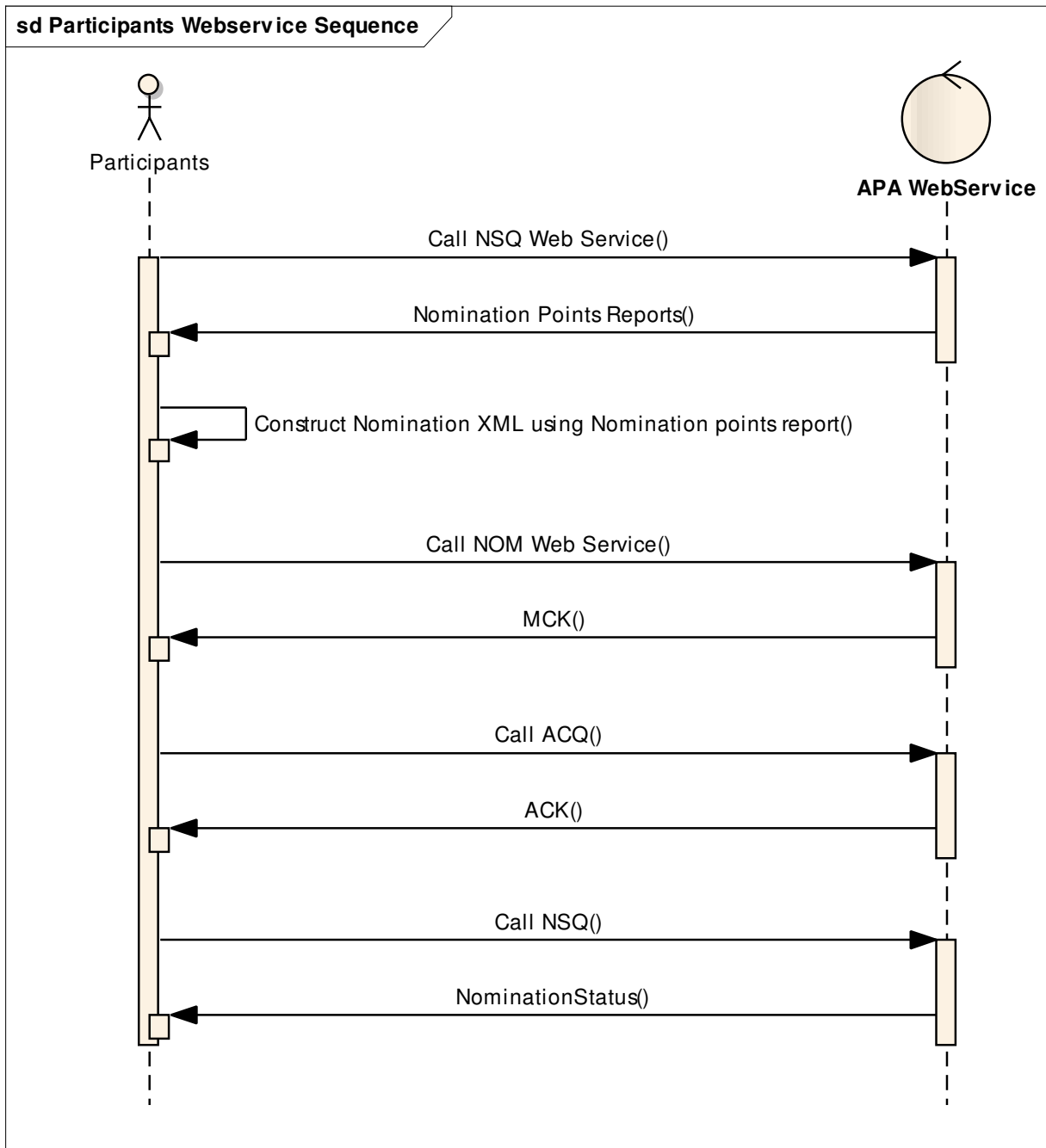
5 Web service Process Design

5.1 Process Overview



6 Participant Nomination Steps

6.1 Participants Nomination Steps Overview



7 Web Service and Operations

APA will expose to participants a web service named AansService with the following operations:

Operation	Description
GetNominationPointReport	Retrieves a Nomination Points Report
SubmitNomination	Allows submission of Nominations to APA
GetAck	Used to check the status of a nomination submission.
GetNominationStatusReport	Retrieves a Nomination Status Report

The Web Service WSDL is supplied separately to this document.

7.1 Security

7.1.1 Transport security

SSL is used to encrypt communications with the AansService web service and is mandatory.

7.1.2 Authentication

Participants must authenticate every request submitted to an AansService operation using the X509 certificate delivered to them by APA.

The AansService web service leverages the OASIS Standard, "Web Services Security X.509 Certificate Token Profile", March 2004 (<http://docs.oasis-open.org/wss/2004/01/oasis-200401-wss-x509-token-profile-1.0.pdf>)

8 Participants Nomination Steps

8.1 Requesting Nomination Points Report

Prior to the construction of the nomination XML file, participants should request the latest Nomination Points Report.

This report contains all of the available nomination points the participant can nominate from the current gas date and into the future.

To request this report, participants must perform the following:

1. Construct the Nomination Point Report request (NPQ) (Section 10.1) according to APA's specification
2. Call the operation GetNominationPointReport (Section 9.1) on the AansService web service and pass in a Nomination Point Report request (NPQ) (Section 10.1)
3. Retrieve Nomination Points Report response (NPR) (Section 10.2)

8.2 Uploading Nominations

To upload Nominations, participants must perform the following:

1. Construct the Nomination request (NOM) (Section 10.3) according to APA specification
2. Call the operation SubmitNomination (Section 9.2) on the AansService web service and pass in the Nomination request (NOM) (Section 10.3).
3. Retrieve the MCK response (Section 10.4)

A successful MCK file will mean the nomination has been uploaded successfully. Participants should record the TransactionId details submitted with as part of the nomination request in order to be able to retrieve the corresponding ACK (Section 10.6)

8.3 Checking the ACK

Approximately 5 minutes after calling the SubmitNomination operation and receiving a successful MCK response, participants should call the GetGetAck operation on the AansService web service (Section 9.3) to check for the status of the Nomination transaction. The ACK contains data that indicates whether EC has successfully loaded all of the nomination records into the system.

To retrieve the ACK, participants must perform the following:

1. Construct the ACQ request (ACQ) (Section 10.5) according to APA specification
2. Call operation GetAck (Section 9.3) on the AansService web service and pass in the ACQ request (Section 10.5).
3. Retrieve the MCK response (Section 10.4)

8.4 Requesting Nomination Status report

Approximately 5 minutes after receiving a successful ACK response, participants should query the status of the nomination just uploaded.

To query the nomination status, the participant must perform the following:

1. Construct the Nomination Status Report request (NSQ) (Section 10.6) according to APA specification.
2. Call operation GetNominationStatusReport (Section 9.4) on the AansService web service and pass in the Nomination Status Report request (NSQ) (Section 10.6)
3. Retrieve the Nomination Status Report response NSR (Section 10.7)

9 Web Service Operations

9.1 GetNominationPointReport

9.1.1 Description

This operation requests a Nomination Point Report.

The Nomination Point Report is designed to show all the relevant nomination points that are applicable to a contract code from the current date forward. Participants should use this report to validate nominations and monitor for any nomination point changes in upcoming days.

This is an optional step, if there are no known upcoming changes to the nomination points, this step can be skipped.

9.1.2 Operation Name

GetNominationPointReport

9.1.3 Mode

Synchronous

9.1.4 Request

Nomination Point Report request (NPQ) (Section 10.1)

9.1.5 Response

Nomination Point Report response (NPR) (Section 10.2)

9.1.6 Error Response

MCK (Section 10.4)

9.2 SubmitNomination

9.2.1 Description:

Using this operation a participant can upload a nomination request and receives an MCK message back as acknowledgement.

9.2.2 Operation Name

SubmitNomination

9.2.3 Operation Mode

Synchronous

9.2.4 Request

Nomination request (NOM) (Section 10.3)

9.2.5 Response

MCK (Section 10.4)

9.2.6 Error Response

MCK (Section 10.4)

9.3 GetAck

9.3.1 Description:

Using this operation, participants can upload an ACQ request file and check if the APA EC system has successfully accepted a given nomination. A successful reply means the nomination transaction of the nomination has been successfully completed.

9.3.2 Operation Name

GetAck

9.3.3 Operation Mode

Synchronous

9.3.4 Request

ACQ request (Section 10.5)

9.3.5 Response

MCK (Section 10.4)

9.3.6 Error Response

MCK (Section 10.4)

9.4 GetNominationStatusReport

9.4.1 Description:

Using this operation, participants can retrieve a Nomination Status Report. This report provides information on the status of submitted nominations.

9.4.2 Operation Name

GetNominationStatusReport

9.4.3 Operation Mode

Synchronous

9.4.4 Request

Nomination Status Report request (NSQ) (Section 10.6)

9.4.5 Response

Nomination Status Report response (NSR) (Section 10.7)

9.4.6 Error Response

MCK (Section 10.4)

10 Web Service Message Specification

10.1 Nomination Point Report request (NPQ)

10.1.1 Description

The Nomination Point Report request is designed to initiate the generation of a Nomination Points Report.

10.1.2 Direction

Participant to send the request to the operation GetNominationPointReport (Section 9.1) exposed by the AansService web service.

10.1.3 Message Content

The following table provides the mapping for the Nomination Points Request.

Tag Name	Required value	Example Values / Notes
<NPQ>		XML root Element
<Header>		Header: holds the identification details of the Nomination request.
<MessageId>	Yes	21EC2020-3AEA-1069-A2DD-08002B30309D
<DateTimeStamp>	Yes	2011-12-13T12:24:57

10.1.3.1 Example

```
<NPQ>
  <Header>
    <MessageId>21EC2020-3AEA-1069-A2DD-08002B30309D</MessageId>
    <DateTimeStamp>2011-12-13T12:24:57</DateTimeStamp>
  </Header>
</NPQ>
```

10.2 Nomination Points Report response (NPR)

10.2.1 Description

The Nomination Points Report response returns all the relevant nomination points applicable to a user from the current date forward. This report will contain all the current and future nomination points.

10.2.2 Direction

Response returned from calling operation GetNominationPointReport (Section 9.1) exposed by the AansService web service.

10.2.3 Message Content

The following table provides the mapping for the Nomination Points Report XML.

Tag Name	Example Values / Notes
<NPR>	XML root Element
<NominationPoints>	Holds a list of nomination point records
<NominationPoint>	XML Element Repeatable: 0 to n nomination point records
<CompanyCode>	CORP_BHP
<CompanyName>	BHP
<CustomerCode>	BHPM
<CustomerName>	BHP Pty Ltd
<ShipperContractCode>	SH_VRVN_GTA
<ShipperContractName>	Verve PP GTA
<ServiceContractCode>	SC_VRVN_PP_FIRM2
<ServiceContractName>	Verve PP Firm Services
<NominationPointCode>	BPRF_BPO_NP
<NominationPointName>	BP Refinery deliveries at BP Oil (BPO)
<StartDate>	2009-04-01
<ExpiryDate>	2012-02-01
<NominationDirection>	Exit

10.2.3.1 Example

<NPR>

<NominationPoints>

<NominationPoint>

<CompanyCode>CORP_BHP</CompanyCode>

<CompanyName>BHP</CompanyName>

<CustomerCode>BHPM</CustomerCode>

<CustomerName>BHP Pty Ltd</CustomerName>

<ShipperContractCode>SH_BHP_GTA</ShipperContractCode>

<ShipperContractName>BHP GTA</ShipperContractName>

<ServiceContractCode>SC_BHP_FIRM</ServiceContractCode>

<ServiceContractName>BHP FIRM</ServiceContractName>

<NominationPointCode>BPRF_BPO_NP</NominationPointCode>

<NominationPointName>BP Refinery deliveries at BP Oil (BPO)</NominationPointName>

<StartDate>2009-04-01</StartDate>

```
<ExpiryDate>2012-02-01</ExpiryDate>  
<NominationDirection>Exit</NominationDirection>  
</NominationPoint>  
</NominationPoints>  
</NPR>
```

10.3 Nomination request (NOM)

10.3.1 Description

This is the XML nomination request that participant passes to the APA Web service/operation.

10.3.2 Direction

Participant to send the request to the operation SubmitNomination (Section 9.2) exposed by the AansService web service.

10.3.3 Message Content

Tag Name	Required value	Example Values
<NOM>		XML root Element
<Header>		Header: holds the identification details of the Nomination request.
<MessageId>	Yes	21EC2020-3AEA-1069-A2DD-08002B30309D
<DateTimeStamp>	Yes	2011-12-13T12:24:57
<Nominations>		Holds a group of nomination records
<Nomination>		XML Element Repeatable
<NominationPointCode>	Yes	BPRF_BPO_NP
<NominationGasDate>	Yes	2011-12-25
<Quantity>	Yes	10000
<UOM>	Yes	GJ

10.3.3.1 Example

```

<NOM>
  <Header>
    <MessageId>21EC2020-3AEA-1069-A2DD-08002B30309D</MessageId>
    <DateTimeStamp>2011-12-13T12:32:47</DateTimeStamp>
  </Header>
  <Nominations>
    <Nomination>
      <NominationPointCode>BPRF_BPO_NP</NominationPointCode>
      <NominationGasDate>2011-12-25</NominationGasDate>
      <Quantity>1000</Quantity>
      <UOM>GJ</UOM>
    </Nomination>
    <Nomination>
      <NominationPointCode>BPRF_BPO_NP</NominationPointCode>
      <NominationGasDate>2011-12-25</NominationGasDate>
      <Quantity>1000</Quantity>
      <UOM>GJ</UOM>
    </Nomination>
  </Nominations>
</NOM>

```

10.4 MCK

10.4.1 Description

MCK messages can be returned in three different contexts:

10.4.1.1 SubmitNomination

As part of the nomination submission process (SubmitNomination operation) MCKs are used to signal participants that the nomination request (NOM) has been received. The success status of this message only indicates that the uploaded message conforms to the expected format and passes basic validation. It does not mean that the message has passed the business validation process in the later stage.

10.4.1.2 GetAck

A MCK is also returned when querying the status of a nomination submission using the GetAck operation. In this case the message indicates the success or failure of the nomination business validation. If IsSuccessful is set to "True" then the nomination has been successfully accepted. (Please note, this does not mean the submitted nomination has been successfully scheduled)

10.4.1.3 Exception

Finally, every operation exposed by the AansService web service will return an MCK to indicate an error occurred when processing the request.

10.4.2 Direction

MCK are returned as response to a SubmitNomination request (Section 9.2), an ACQ request or as fault message for any request.

10.4.3 Message Content

Tag Name	Example Values / Notes
<MCK>	XML Root
<Header>	Header
<MessageId>	27180716-548c-45c2-A8AD-8CF464DB6249
<DateTimeStamp>	2011-12-13T15:45:57
<TransactionId>	Holds the identification details of submitted message
<MessageId>	21EC2020-3AEA-1069-A2DD-08002B30309D
<DateTimeStamp>	2011-12-13T12:24:57
<IsSuccessful>	False
<IsDuplicate>	True
<EventSeverity>	Error
<EventCode>	Duplicate_TransactionId
<EventCodeDescription>	The TransactionId AANS_21EC2020-3AEA-1069-A2DD-08002B30309D_20111213122457_NOM_AANSWTEST has already been used.
<EventContext>	TransactionId_Duplication_Validation

10.4.3.1 Successful message example

<MCK>

<Header>

<MessageId>0d065032-9e3c-434c-858a-537e770e4454</MessageId>

<DateTimeStamp>2011-12-19T22:35:11.3116159Z</DateTimeStamp>

```

</Header>
<TransactionId>
  <MessageId>21EC2020-3AEA-1069-A2DD-08002B30309D</MessageId>
  <DateTimeStamp>2011-12-13T12:24:57.2548695Z</DateTimeStamp>
</TransactionId>
<IsSuccessful>True</IsSuccessful>
<IsDuplicate>False</IsDuplicate>
<EventSeverity></EventSeverity>
<EventCode></EventCode>
<EventCodeDescription></EventCodeDescription>
<EventContext></EventContext>
</MCK>

```

10.4.3.2 Unsuccessful message examples

Duplicate message submission (as returned by any operation):

```

<MCK>
  <Header>
    <MessageId>21EC2020-3AEA-1069-A2DD-08002B30309D</MessageId>
    <DateTimeStamp>2011-12-13T12:32:47</DateTimeStamp>
  </Header>
  <TransactionId>
    <MessageId>6460763d-a9c3-447b-8f6a-9c8230c7951a</MessageId>
    <DateTimeStamp>2011-12-13T12:24:57.2548695Z</DateTimeStamp>
  </TransactionId>
  <IsSuccessful>>false</IsSuccessful>
  <IsDuplicate>>true</IsDuplicate>
  <EventSeverity>Error</EventSeverity>
  <EventCode>Duplicate_TransactionId</EventCode>
  <EventCodeDescription>The TransactionId AANS_6460763d-a9c3-447b-8f6a-9c8230c7951a_20111213122457_NSQ_AANSWTEST has already been used.</EventCodeDescription>
  <EventContext>TransactionId_Duplication_Validation</EventContext>
</MCK>

```

Rejected nomination submission (as returned by a call to the GetAck operation):

```

<MCK>
  <Header>
    <MessageId>21EC2020-3AEA-1069-A2DD-08002B30309D</MessageId>
    <DateTimeStamp>2011-12-13T12:32:47</DateTimeStamp>
  </Header>

```



```
<TransactionId>
  <MessageId>6460763d-a9c3-447b-8f6a-9c8230c7951a</MessageId>
  <DateTimeStamp>2011-12-13T12:24:57.2548695Z</DateTimeStamp>
</TransactionId>
<IsSuccessful>>false</IsSuccessful>
<IsDuplicate>>false</IsDuplicate>
<EventSeverity>Error</EventSeverity>
<EventCode>Nomination_Rejection</EventCode>
<EventCodeDescription> ERR002-Renomination not allowed: past intraday
deadline.</EventCodeDescription>
<EventContext>Nomination_Confirmation_Process</EventContext>
</MCK>
```

10.5 ACQ request

10.5.1 Description

The ACQ request is used to query the status of a nomination request (NOM) recently submitted and find out if the nomination(s) submitted have been successfully accepted by the EC system.

10.5.2 Direction

Participant to send the request to the operation GetAck (Section 9.3) exposed by the AansService web service.

10.5.3 Message Content

Tag Name	Required value	Example Values / Notes
<ACQ>		XML root Element
<Header>		Header: holds the identification details of the Nomination request.
<MessageId>	Yes	8205d7b4-540e-47df-90c0-d03746d65f44
<DateTimeStamp>	Yes	2011-12-13T12:32:25
<Parameters>		Holds a list of parameters
<TransactionId>		Holds the identification details of the Nomination request (NOM) to be checked.
<MessageId>	Yes	8205d7b4-540e-47df-90c0-d03746d65f44
<DateTimeStamp>	Yes	2011-12-13T12:24:57

10.5.3.1 Example

```
<ACQ>
  <Header>
    <MessageId>21EC2020-3AEA-1069-A2DD-08002B30309D</MessageId>
    <DateTimeStamp>2011-12-13T12:32:25</DateTimeStamp>
  </Header>
  <TransactionId>
    <MessageId>8205d7b4-540e-47df-90c0-d03746d65f44</MessageId>
    <DateTimeStamp>2011-12-13T12:24:57</DateTimeStamp>
  </TransactionId>
</ACQ>
```

10.6 Nomination Status request (NPQ)

10.6.1 Description

The nomination status request (NPQ) allows participants to query the status of a submitted nomination in the EC system.

10.6.2 Direction

Participant to send the request to the operation GetNominationStatusReport (Section 9.4) exposed by the AansService web service.

10.6.3 Message Content

Tag Name	Required value	Example Values / Notes
<NSQ>		XML root Element
<Header>		Header: holds the identification details of the Nomination request.
<MessageId>	Yes	21EC2020-3AEA-1069-A2DD-08002B30309D
<DateTimeStamp>	Yes	2011-12-13T12:36:15
<Parameters>		Holds a list of parameters
<CustomerCode>	No	BPRF
<ShipperContractCode>	No	SH_BPRF
<ServiceContractCode>	No	
<NominationPointCode>	No	
<StartGasDate>	Yes	2011-12-25
<EndGasDate>	Yes	2011-12-25
<NominationStatus>	No	A value is optional but must belong to the following list: ACC, ADJ, CON, INIT, PEN, REJ, REQ, SCH
<TransactionId>		Holds the identification details of the Nomination request (NOM) to be checked.
<MessageId>	No	8205d7b4-540e-47df-90c0-d03746d65f44
<DateTimeStamp>	No	2011-12-13T12:24:57

10.6.3.1 Example

```
<NSQ>
  <Header>
    <MessageId>21EC2020-3AEA-1069-A2DD-08002B30309D</MessageId>
    <DateTimeStamp>2009-03-13T12:32:47</DateTimeStamp>
  </Header>
  <Parameters>
    <CustomerCode>BPRF</CustomerCode>
    <ShipperContractCode>SH_BPRF</ShipperContractCode>
    <ServiceContractCode />
    <NominationPointCode />
    <StartGasDate>2011-12-25</StartGasDate>
    <EndGasDate>2012-01-25</EndGasDate>
    <NominationStatus />
  <TransactionId>
    <MessageId>8205d7b4-540e-47df-90c0-d03746d65f44</MessageId>
```

```
<DateTimeStamp>2011-12-13T12:24:57</DateTimeStamp>  
</TransactionId>  
</Parameters>  
</NSQ>
```

10.7 Nomination Status Report response (NSR)

10.7.1 Description

The nomination status file shows a participant the nomination status for all nominations in the APA system as specified by the participants uploaded Nomination Status Request

10.7.2 Direction

Response returned from calling operation GetNominationStatusReport (Section 9.4) exposed by the AansService web service.

10.7.3 Message Content

Tag Name	Example Values / Notes
<NSR>	XML root Element
<NominationStatuses>	Holds a group of nomination status records
<NominationStatus>	Individual nomination status record
<MessageId>	21EC2020-3AEA-1069-A2DD-08002B30309D
<TransactionId>	TransactionId of the nomination record. Formatted as <APASystemCode>_<MessageId>_<Timestamp>_NOM_<ApplicationUserId>
<VersionNumber>	Version number of the nomination
<CompanyCode>	CORP_BHP
<CompanyName>	BHP
<CustomerCode>	BHPM
<CustomerName>	BHP Pty Ltd
<ShipperContractCode>	SH_VRVN_GTA
<ShipperContractName>	Verve PP GTA
<ServiceContractCode>	SC_VRVN_PP_FIRM2
<ServiceContractName>	Verve PP Firm Services
<NominationPointCode>	BPRF_BPO_NP
<NominationPointName>	BP Refinery deliveries at BP Oil (BPO)
<NominationDirection>	Exit
<NominationGasDate>	2011-05-01
<UOM>	GJ
<RequestedQuantity>	123
<RequestedQuantityDate>	2011-05-01T08:30:15
<AcceptedQuantity>	123
<AcceptedQuantityDate>	2011-05-01T08:30:15
<ExternalConfirmedQuantity>	123
<ExternalConfirmedQuantityDate>	2011-05-01T08:30:15
<ConfirmedQuantity>	123
<ConfirmedQuantityDate>	2011-05-01T08:30:15
<AdjustedQuantity>	123
<AdjustedQuantityDate>	2011-05-01T08:30:15
<ScheduledQuantity>	123
<ScheduledQuantityDate>	2011-05-01T08:30:15
<NominationStatus>	ACC
<NominationType>	Normal

10.7.3.1 Example

```

<NSR>
  <NominationStatuses>
    <NominationStatus>
      <TransactionId>AANS_21EC2020-3AEA-1069-A2DD-
08002B30309D_20090213122457_NOM_AANSWTEST</TransactionId>
      <VersionNumber>10</VersionNumber>
      <CompanyCode>CORP_BHP</CompanyCode>
      <CompanyName>BHP</CompanyName>
      <CustomerCode>BHPM</CustomerCode>
      <CustomerName>BHP Pty Ltd</CustomerName>
      <ShipperContractCode>SH_VRVN_GTA</ShipperContractCode>
      <ShipperContractName>Verve PP GTA</ShipperContractName>
      <ServiceContractCode>SC_VRVN_PP_FIRM2</ServiceContractCode>
      <ServiceContractName>Verve PP Firm Services</ServiceContractName>
      <NominationPointCode>BPRF_BPO_NP</NominationPointCode>
      <NominationPointName>BP Refinery deliveries at BP Oil (BPO)</NominationPointName>
      <NominationDirection>Exit</NominationDirection>
      <NominationGasDate>2011-05-01</NominationGasDate>
      <UOM>GJ</UOM>
      <RequestedQuantity>123</RequestedQuantity>
      <RequestedQuantityDate>2011-05-01T08:30:15</RequestedQuantityDate>
      <AcceptedQuantity>123</AcceptedQuantity>
      <AcceptedQuantityDate>2011-05-01T08:30:15</AcceptedQuantityDate>
      <ExternalConfirmedQuantity>123</ExternalConfirmedQuantity>
      <ExternalConfirmedQuantityDate>2011-05-01T08:30:15</ExternalConfirmedQuantityDate>
      <ConfirmedQuantity>123</ConfirmedQuantity>
      <ConfirmedQuantityDate>2011-05-01T08:30:15</ConfirmedQuantityDate>
      <AdjustedQuantity>123</AdjustedQuantity>
      <AdjustedQuantityDate>2011-05-01T08:30:15</AdjustedQuantityDate>
      <ScheduledQuantity>123</ScheduledQuantity>
      <ScheduledQuantityDate>123</ScheduledQuantityDate>
      <NominationStatus>ACC</NominationStatus>
      <NominationType>Normal</NominationType>
    </NominationStatus>
  </NominationStatuses>
</NSR>

```

11 Appendix

11.1 Nomination Status Request (NSR) examples

The following example has been simplified to illustrate the processes

11.1.1 Querying for a specific TransactionId

When a nomination status request contains a valid TransactionId, the returned nomination status report will return a complete history for the submitted nomination TransactionId.

11.1.1.1 Example 1

1. Previous confirmed nomination already in system:

TransactionId	Version Number	Nomination PointCode	Nomination GasDate	Requested Quantity	Requested Date	Accepted Quantity	Accepted Date	Confirmed Quantity	Confirmed Date	Nomination Status	Nomination Type
1	0	NP1	2011-09-01	200	2011-08-20 13:59:45	200	2011-08-20 14:59:45	200	2011-08-20 14:59:45	CON	Normal

2. Participant to upload the following nomination on 2011-08-21 15:01:02

TransactionId	NominationPointCode	NominationGasDate	Quantity	UOM
2	NP1	2011-09-01	200000	GJ

3. Nomination was rejected by APA.
4. Participant to query nomination status using nomination status request

CustomerCode	ShipperContractCode	ServiceContractCode	NominationPointCode	StartGasDate	EndGasDate	NominationStatus	TransactionId
			NP1	2011-09-01	2011-09-01		2

5. The following report will be returned. The submitted record was rejected and replaced by the last confirmed nomination.

TransactionId	Version Number	Nomination PointCode	Nomination GasDate	Requested Quantity	Requested Date	Accepted Quantity	Accepted Date	Confirmed Quantity	Confirmed Date	Nomination Status	Nomination Type
2	1	NP1	2011-09-01	200000	2011-08-21 15:01:02	200	2011-08-20 14:59:45	200	2011-08-20 14:59:45	REQ	Normal
2	2	NP1	2011-09-01	200000	2011-08-21 15:01:02	200	2011-08-20 14:59:45	200	2011-08-20 14:59:45	REJ	Normal
2	3	NP1	2011-09-01	200	2011-08-20 13:59:45	200	2011-08-20 14:59:45	200	2011-08-20 14:59:45	CON	Normal

11.1.1.2 Example 2

1. Previous confirmed nomination already in system:

TransactionId	Version Number	Nomination PointCode	Nomination GasDate	Requested Quantity	Requested Date	Accepted Quantity	Accepted Date	Confirmed Quantity	Confirmed Date	Nomination Status	Nomination Type
1	0	NP1	2011-09-01	200	2011-08-20 13:59:45	200	2011-08-20 14:59:45	200	2011-08-20 14:59:45	CON	Normal

2. Participant to upload the following nomination on 2011-08-21 15:01:02

TransactionId	NominationPointCode	NominationGasDate	Quantity	UOM
2	NP1	2011-09-01	300	GJ

3. Nomination is accepted by APA at 2011-08-22 16:01:03

4. Participant to query nomination status using nomination status request

CustomerCode	ShipperContractCode	ServiceContractCode	NominationPointCode	StartGasDate	EndGasDate	NominationStatus	TransactionId
			NP1	2011-09-01	2011-09-01		2

5. The following record will be returned.

TransactionId	Version Number	Nomination PointCode	Nomination GasDate	Requested Quantity	Requested Date	Accepted Quantity	Accepted Date	Confirmed Quantity	Confirmed Date	Nomination Status	Nomination Type
2	1	NP1	2011-09-01	300	2011-08-21 15:01:02					REQ	Normal
2	2	NP1	2011-09-01	300	2011-08-21 15:01:02					PEN	Normal
2	3	NP1	2011-09-01	300	2011-08-21 15:01:02	300	2011-08-22 16:01:03			ACC	Normal
2	4	NP1	2011-09-01	300	2011-08-21 15:01:02	300	2011-08-22 16:01:03	300	2011-08-22 16:01:03	CON	Normal

11.1.2 Querying without TransactionId

When a submitted nomination status request does not contain a TransactionId, only the latest nomination data is returned.

11.1.2.1 Example 1

1. Previous confirmed nomination already in system:

TransactionId	Version Number	Nomination PointCode	Nomination GasDate	Requested Quantity	Requested Date	Accepted Quantity	Accepted Date	Confirmed Quantity	Confirmed Date	Nomination Status	Nomination Type
1	0	NP1	2011-09-01	200	2011-08-20 13:59:45	200	2011-08-20 14:59:45	200	2011-08-20 14:59:45	CON	Normal

2. Participant to upload the following nomination on 2011-08-21 15:01:02

TransactionId	NominationPointCode	NominationGasDate	Quantity	UOM	NominationStatus
2	NP1	2011-09-01	200000	GJ	CON

3. Nomination was rejected by APA.
4. Participant to query nomination status using nomination status request

CustomerCode	ShipperContractCode	ServiceContractCode	NominationPointCode	StartGasDate	EndGasDate	NominationStatus	TransactionId
			NP1	2011-09-01	2011-09-01		

5. The following record will be returned. When querying without a TransactionId only the latest daily record will be returned. The submitted nomination was rejected and replaced by the last confirmed nomination.

TransactionId	Version Number	Nomination PointCode	Nomination GasDate	Requested Quantity	Requested Date	Accepted Quantity	Accepted Date	Confirmed Quantity	Confirmed Date	Nomination Status	Nomination Type
2	3	NP1	2011-09-01	200	2011-08-20 13:59:45	200	2011-08-20 14:59:45	200	2011-08-20 14:59:45	CON	Normal

11.1.2.2 Example 2

1. Previous confirmed nomination already in system:

TransactionId	Version Number	Nomination PointCode	Nomination GasDate	Requested Quantity	Requested Date	Accepted Quantity	Accepted Date	Confirmed Quantity	Confirmed Date	Nomination Status	Nomination Type
1	1	NP1	2011-09-01	200	2011-08-20 13:59:45	200	2011-08-20 14:59:45	200	2011-08-20 14:59:45	CON	Normal

2. Participant to upload the following nomination on 2011-08-21 15:01:02

TransactionId	NominationPointCode	NominationGasDate	Quantity	UOM
2	NP1	2011-09-01	300	GJ

3. Nomination is accepted by APA at 2011-08-22 16:01:03

4. Participant to query nomination status using nomination status request

CustomerCode	ShipperContractCode	ServiceContractCode	NominationPointCode	StartGasDate	EndGasDate	NominationStatus	TransactionId
			NP1	2011-09-01	2011-09-01		

5. The following record will be returned.

TransactionId	Version Number	Nomination PointCode	Nomination GasDate	Requested Quantity	Requested Date	Accepted Quantity	Accepted Date	Confirmed Quantity	Confirmed Date	Nomination Status	Nomination Type
2	4	NP1	2011-09-01	300	2011-08-21 15:01:02	300	2011-08-22 16:01:03	300	2011-08-22 16:01:03	CON	Normal

11.1.3 Intraday nomination examples

11.1.3.1 Example 1

When a participant submits an intraday nomination, the record is flag as intraday. Once it has been accepted by APA, the daily record will be updated with the intraday data. To see the complete trail of the submitted nomination, participant must submit nominations status requests for a specific TransactionId.

1. Previous confirmed nomination already in system:

TransactionId	Version Number	Nomination PointCode	Nomination GasDate	Requested Quantity	Requested Date	Accepted Quantity	Accepted Date	Confirmed Quantity	Confirmed Date	Nomination Status	Nomination Type
1	0	NP1	2011-09-01	200	2011-08-20 13:59:45	200	2011-08-20 14:59:45	200	2011-08-20 14:59:45	CON	Normal

2. Participant to upload the following nomination on 2011-09-01 15:01:02

TransactionId	NominationPointCode	NominationGasDate	Quantity	UOM	NominationStatus
2	NP1	2011-09-01	200000	GJ	CON

3. Participant to query nomination status using nomination status request

CustomerCode	ShipperContractCode	ServiceContractCode	NominationPointCode	StartGasDate	EndGasDate	NominationStatus	TransactionId
			NP1	2011-09-01	2011-09-01		2

4. The following record will be returned.

TransactionId	Version Number	Nomination PointCode	Nomination GasDate	Requested Quantity	Requested Date	Accepted Quantity	Accepted Date	Confirmed Quantity	Confirmed Date	Nomination Status	Nomination Type
2	0	NP1	2011-09-01	200000	2011-09-01 15:01:02					REQ	Intraday

- 5. APA approve the nomination on 2011-09-01 16:05:02
- 6. Participant to query nomination status using nomination status request

CustomerCode	ShipperContractCode	ServiceContractCode	NominationPointCode	StartGasDate	EndGasDate	NominationStatus	TransactionId
			NP1	2011-09-01	2011-09-01		2

7. The following record will be returned.

TransactionId	Version Number	Nomination PointCode	Nomination GasDate	Requested Quantity	Requested Date	Accepted Quantity	Accepted Date	Confirmed Quantity	Confirmed Date	Nomination Status	Nomination Type
2	1	NP1	2011-09-01	200000	2011-09-01 15:01:02	200000				ACC	Intraday
2	1	NP1	2011-09-01	200000	2011-09-01 15:01:02	200000	2011-09-01 16:05:02	200000	2011-09-01 16:05:02	CON	Normal

11.1.3.2 Example 2

When a participant submits an intraday nomination, the record is flagged as intraday. Once it has been accepted by APA, the daily record will be updated with the intraday data. If a transaction Id is not submitted with the nomination status query only the latest nomination is shown.

1. Previous confirmed nomination already in system:

TransactionId	Version Number	Nomination PointCode	Nomination GasDate	Requested Quantity	Requested Date	Accepted Quantity	Accepted Date	Confirmed Quantity	Confirmed Date	Nomination Status	Nomination Type
1	0	NP1	2011-09-01	200	2011-08-20 13:59:45	200	2011-08-20 14:59:45	200	2011-08-20 14:59:45	CON	Normal

2. Participant to upload the following nomination on 2011-09-01 15:01:02

TransactionId	NominationPointCode	NominationGasDate	Quantity	UOM	NominationStatus
2	NP1	2011-09-01	200000	GJ	CON

3. Participant to query nomination status using nomination status request

CustomerCode	ShipperContractCode	ServiceContractCode	NominationPointCode	StartGasDate	EndGasDate	NominationStatus	TransactionId
			NP1	2011-09-01	2011-09-01		

4. The following record will be returned.

TransactionId	Version Number	Nomination PointCode	Nomination GasDate	Requested Quantity	Requested Date	Accepted Quantity	Accepted Date	Confirmed Quantity	Confirmed Date	Nomination Status	Nomination Type
1	0	NP1	2011-09-01	200	2011-08-20 13:59:45	200	2011-08-20 14:59:45	200	2011-08-20 14:59:45	CON	Intraday

5. APA approve the nomination on 2011-09-01 16:05:02

6. Participant to query nomination status using nomination status request

CustomerCode	ShipperContractCode	ServiceContractCode	NominationPointCode	StartGasDate	EndGasDate	NominationStatus	TransactionId
			NP1	2011-09-01	2011-09-01		

7. The following record will be returned.

TransactionId	Version Number	Nomination PointCode	Nomination GasDate	Requested Quantity	Requested Date	Accepted Quantity	Accepted Date	Confirmed Quantity	Confirmed Date	Nomination Status	Nomination Type
2	1	NP1	2011-09-01	200000	2011-09-01 15:01:02	200000	2011-09-01 16:05:02	200000	2011-09-01 16:05:02	CON	Normal

11.2 Nomination Status

11.2.1 Description

When the nomination is received by EC it is assigned a REQ status. As the nomination goes through additional business processes the assigned status will change according to contractual obligation and pipeline operation. The following section outlines the flow for the nomination status.

11.2.2 Flow Diagram

